

DESCRIPTION

Ensure main supply is switched off and take suspension out of box.

A. Unscrew the grub screw and the rod.

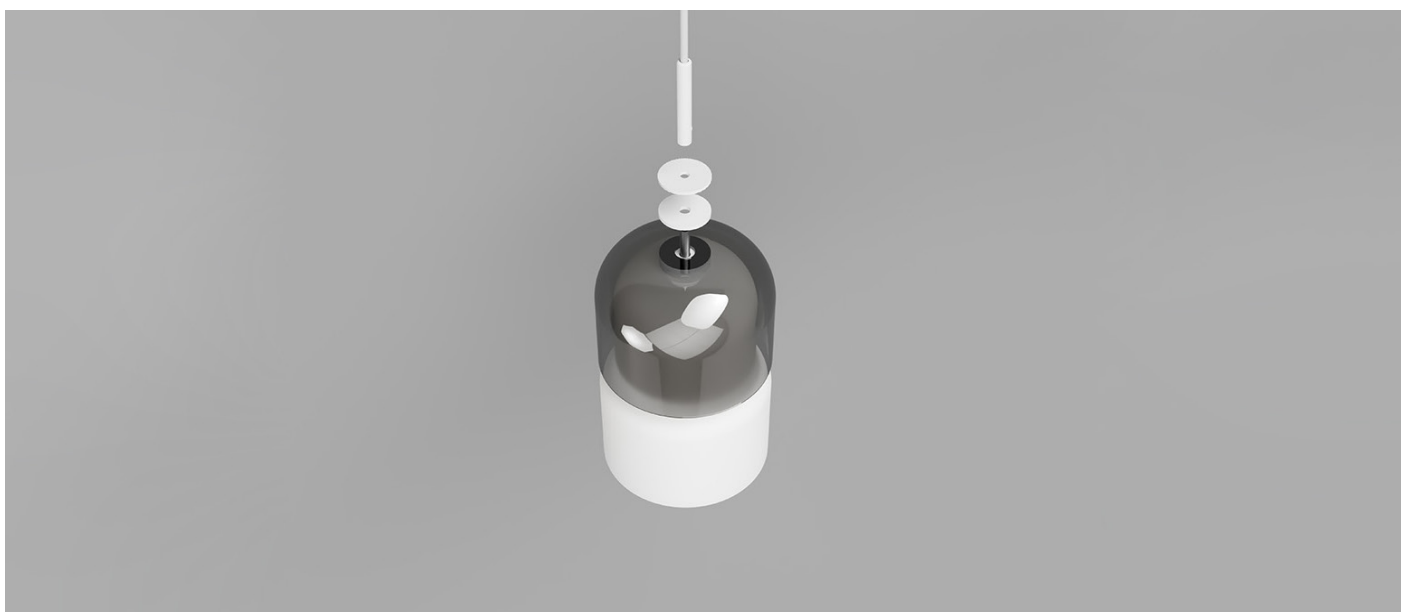
B. Unscrew and remove rod, washers, and seals. Leave the rounded seal at the lamp holder.

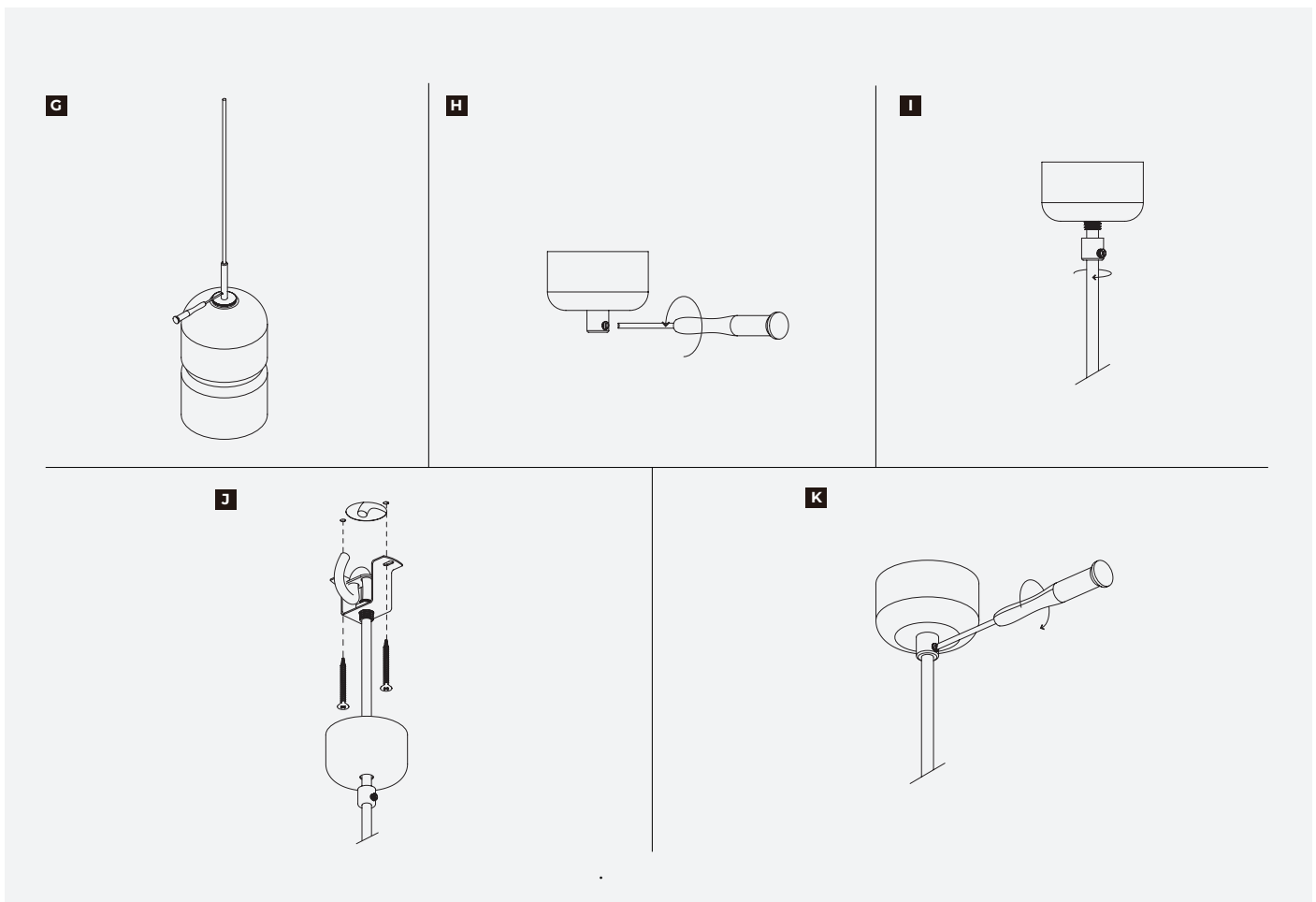
C. Place the base glass onto the suspension.

D. Place one seal, then one metal washer, tighten. Add another seal so glass is protected.

E. Place the top glass.

F. Place one seal, then one metal washer, tighten. Twist the rod back on.



**DESCRIPTION** (Continued)

G. Tighten cord with grub screw.

Take ceiling canopy from box. Fix ceiling bracket into place.

H. Unscrew grub screw.

I. Thread cord through cord grip.

J. Ensure the cord is locked off with the figure eight. Make electrical connections, ensure all are tight.

K. Push main body of ceiling canopy up, twist cord grip to lock off. Tighten grub screw.

